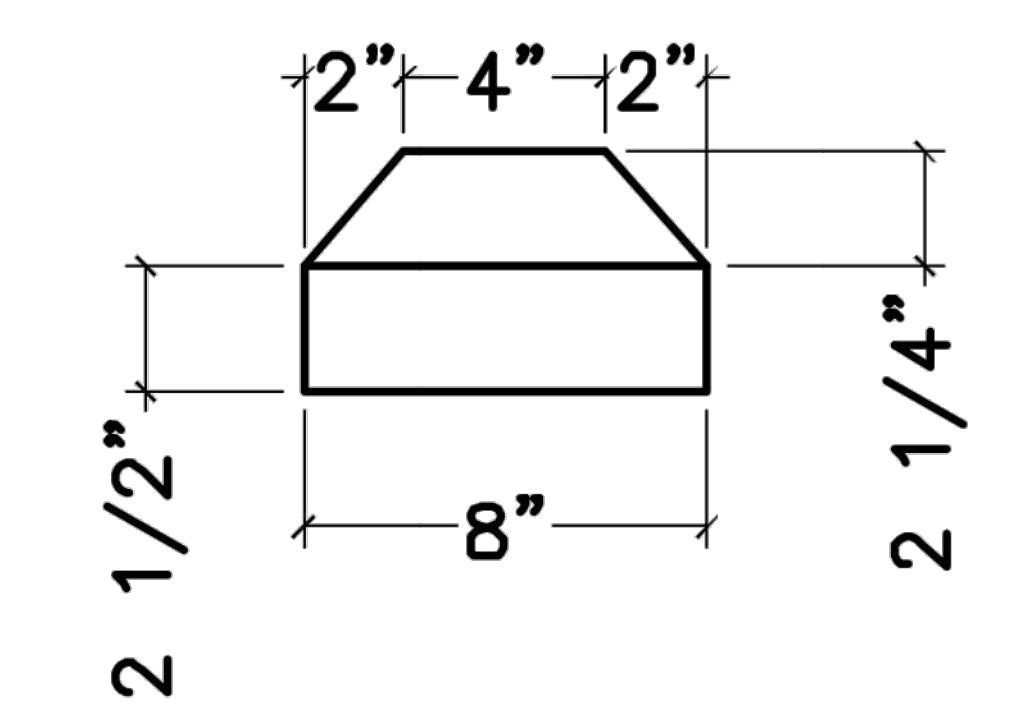
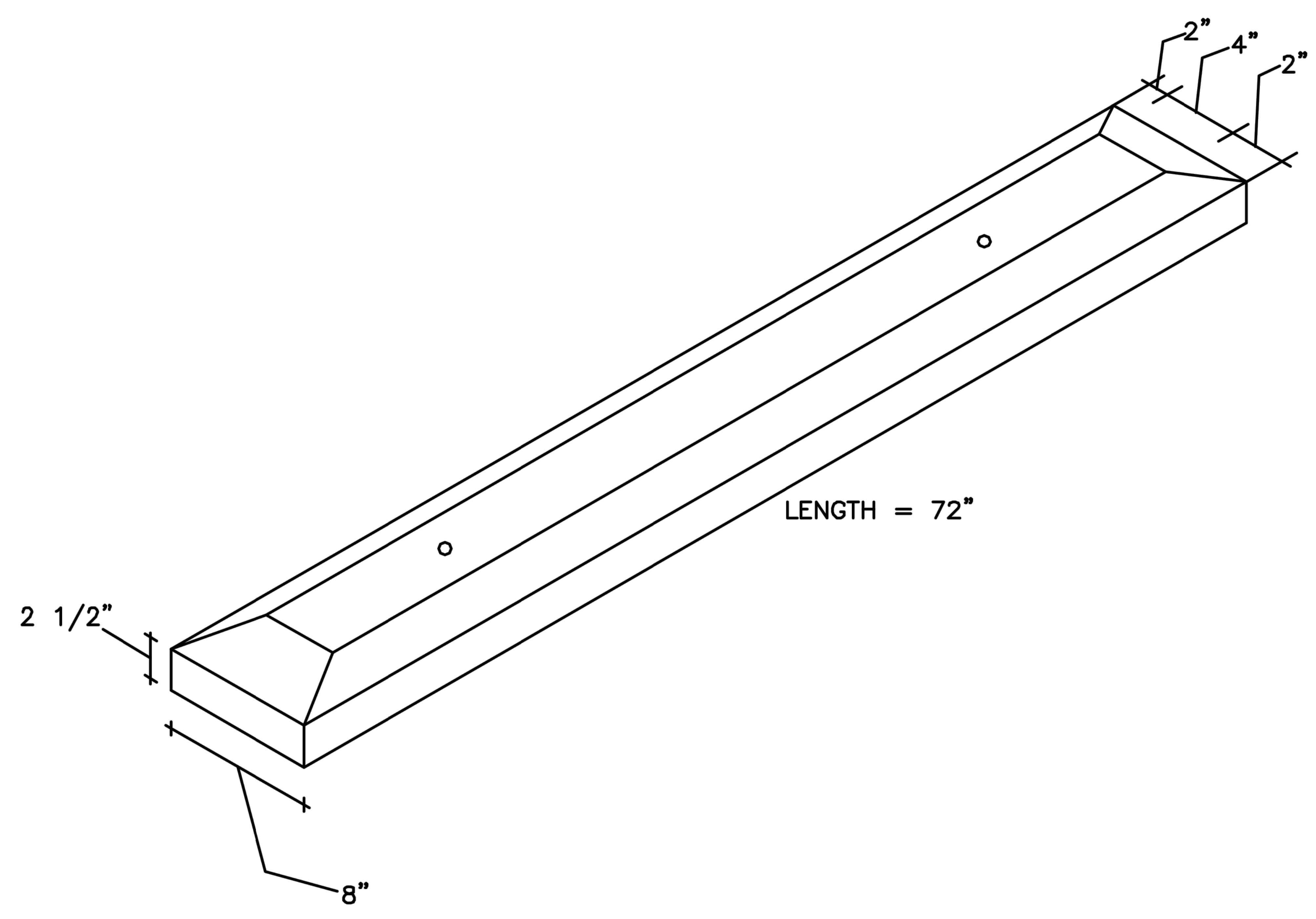


PLAN



SIDE ELEV.



Concrete Parkings stops are produced with 3500 psi concrete and reinforced with 2#4 bars. 2-3/4" holes 12" from each end allow stops to be anchored pavement using 1/2" or 5/8" rebar.

	Industrial Parking Block
PRICE	\$ 33.00 (delivery not included)



INDUSTRIAL PARKING STOP

DRAWN BY: FSS

CHECKED BY: MJ/JP

SCALE: NTS

Phone: 945-8495
 Fax: 945-4808
 Email: info@ciprecast.com.ky